

PRODUCT INFORMATION PACKET

marathon[®]
Motors

Model No: 404THFS9101
Catalog No: W583
50,900, TEFC, 404T, 3/60/460
Severe Duty



Regal and Marathon are trademarks of Regal Beloit Corporation or one of its affiliated companies.
©2018 Regal Beloit Corporation, All Rights Reserved. MC017097E

REGAL[®]

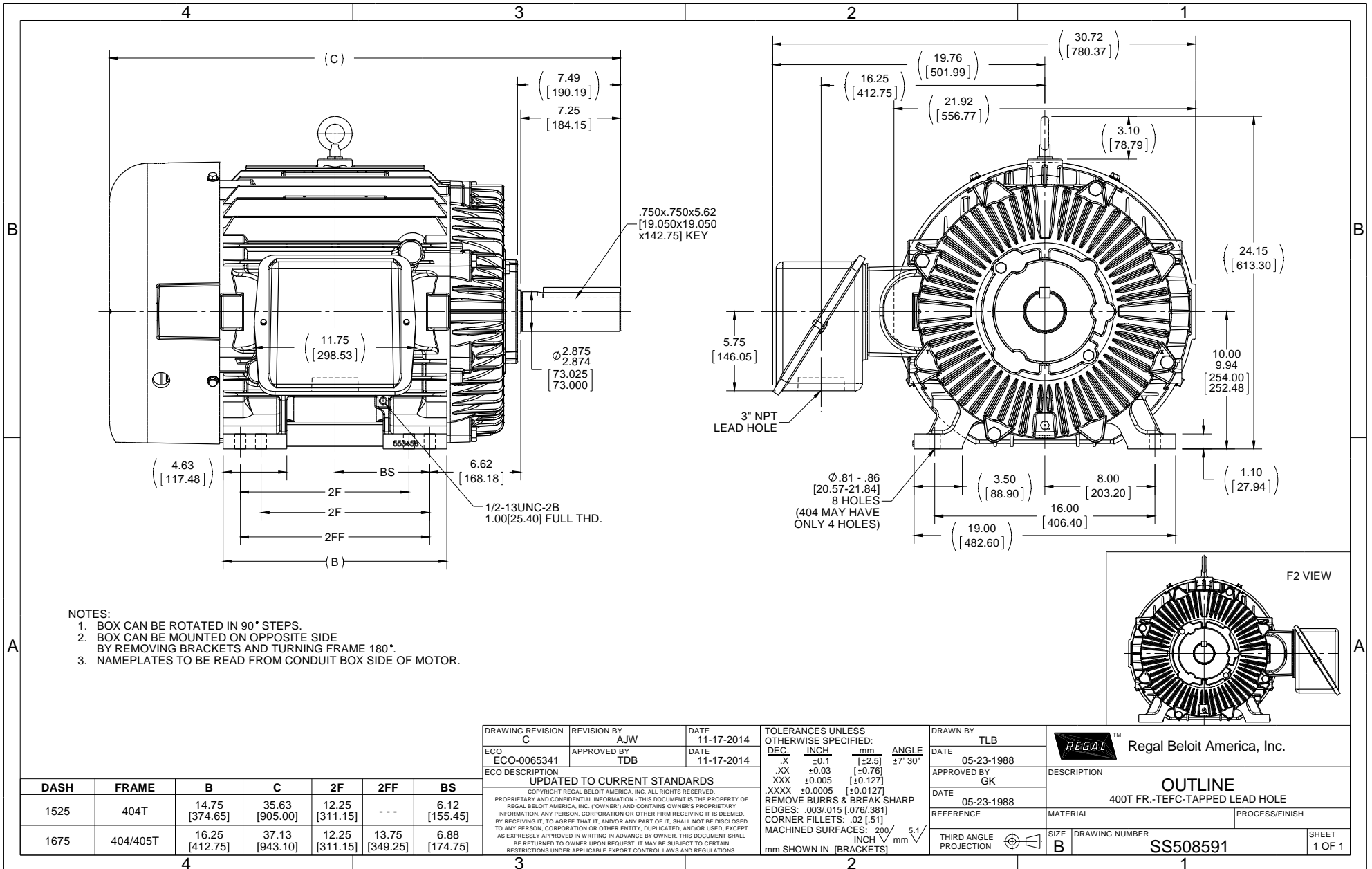
Nameplate Specifications

Output HP	50 Hp	Output KW	37.0 kW
Frequency	60 Hz	Voltage	460 V
Current	66.0 A	Speed	890 rpm
Service Factor	1.15	Phase	3
Efficiency	93.6 %	Duty	Continuous
Insulation Class	F	Design Code	B
KVA Code	G	Frame	404T
Enclosure	Totally Enclosed Fan Cooled	Overload Protector	No
Ambient Temperature	40 °C	Drive End Bearing Size	6316
Opp Drive End Bearing Size	6313	UL	Recognized
CSA	Y	CE	Y
IP Code	56		

Technical Specifications

Electrical Type	Squirrel Cage Inverter Rated	Starting Method	Line Or Inverter
Poles	8	Rotation	Reversible
Mounting	Rigid Base	Motor Orientation	Horizontal
Drive End Bearing	Ball	Opp Drive End Bearing	Ball
Frame Material	Cast Iron	Shaft Type	T
Overall Length	35.63 in	Frame Length	15.25 in
Shaft Diameter	2.875 in	Shaft Extension	7.49 in
Assembly/Box Mounting	F1/F2 Capable		
Outline Drawing	B-SS508591-1525	Connection Diagram	A-EE7300

This is an uncontrolled document once printed or downloaded and is subject to change without notice. Date Created: 10/08/2018



NOTES:

1. BOX CAN BE ROTATED IN 90° STEPS.
2. BOX CAN BE MOUNTED ON OPPOSITE SIDE BY REMOVING BRACKETS AND TURNING FRAME 180°.
3. NAMEPLATES TO BE READ FROM CONDUIT BOX SIDE OF MOTOR.

DRAWING REVISION C		REVISION BY AJW	DATE 11-17-2014	TOLERANCES UNLESS OTHERWISE SPECIFIED:		DRAWN BY TLB	Regal Beloit America, Inc.	
ECO ECO-0065341		APPROVED BY TDB	DATE 11-17-2014	DEC	INCH	mm		ANGLE
ECO DESCRIPTION UPDATED TO CURRENT STANDARDS				.X	±0.1	[±2.5]	±7° 30'	
<small>COPYRIGHT REGAL BELOIT AMERICA, INC. ALL RIGHTS RESERVED. PROPRIETARY AND CONFIDENTIAL INFORMATION - THIS DOCUMENT IS THE PROPERTY OF REGAL BELOIT AMERICA, INC. ("OWNER") AND CONTAINS OWNER'S PROPRIETARY INFORMATION. ANY PERSON, CORPORATION OR OTHER FIRM RECEIVING IT IS DEEMED, BY RECEIVING IT, TO AGREE THAT IT, AND/OR ANY PART OF IT, SHALL NOT BE DISCLOSED TO ANY PERSON, CORPORATION OR OTHER ENTITY, DUPLICATED, AND/OR USED, EXCEPT AS EXPRESSLY APPROVED IN WRITING IN ADVANCE BY OWNER. THIS DOCUMENT SHALL BE RETURNED TO OWNER UPON REQUEST. IT MAY BE SUBJECT TO CERTAIN RESTRICTIONS UNDER APPLICABLE EXPORT CONTROL LAWS AND REGULATIONS.</small>				.XX	±0.03	[±0.76]		
				.XXX	±0.005	[±0.127]		
				.XXXX	±0.0005	[±0.0127]		
				REMOVE BURRS & BREAK SHARP EDGES: .003/.015 [076/381] CORNER FILLETS: .02 [51] MACHINED SURFACES: 200/5.1 INCH √ mm √ mm SHOWN IN [BRACKETS]				
DASH	FRAME	B	C	2F	2FF	BS	DATE 05-23-1988	DESCRIPTION OUTLINE 400T FR.-TEFC-TAPPED LEAD HOLE
1525	404T	14.75 [374.65]	35.63 [905.00]	12.25 [311.15]	---	6.12 [155.45]	APPROVED BY GK	MATERIAL
1675	404/405T	16.25 [412.75]	37.13 [943.10]	12.25 [311.15]	13.75 [349.25]	6.88 [174.75]	DATE 05-23-1988	PROCESS/FINISH
							REFERENCE	SIZE B
							THIRD ANGLE PROJECTION	DRAWING NUMBER SS508591
								SHEET 1 OF 1

**THREE PHASE - SINGLE VOLTAGE
MOTOR - CONDUIT BOX @ 'A'**

**TO REVERSE ROTATION:
INTERCHANGE ANY TWO
LINE LEAD CONNECTIONS.**

TERMINAL BLOCK WHEN SPECIFIED



VIEW OF TERMINAL END

**IF MOTOR HAS
6 LEADS**




A-9806 DECAL

**OPTIONAL CORD
CONNECTION**

- L1 _____ WHITE
- L2 _____ RED
- L3 _____ BLACK

DRAWING REVISION AB	REVISION BY JJB	DATE 06-27-2017
ECO ECO-0125361	APPROVED BY TB	DATE 06-27-2017
ECO DESCRIPTION UPDATED TO CURRENT STANDARDS		
<small>COPYRIGHT REGAL BELOIT AMERICA, INC. ALL RIGHTS RESERVED. PROPRIETARY AND CONFIDENTIAL INFORMATION - THIS DOCUMENT IS THE PROPERTY OF REGAL BELOIT AMERICA, INC. ("OWNER") AND CONTAINS OWNER'S PROPRIETARY INFORMATION. ANY PERSON, CORPORATION OR OTHER FIRM RECEIVING IT IS DEEMED, BY RECEIVING IT, TO AGREE THAT IT, AND/OR ANY PART OF IT, SHALL NOT BE DISCLOSED TO ANY PERSON, CORPORATION OR OTHER ENTITY, DUPLICATED, AND/OR USED, EXCEPT AS EXPRESSLY APPROVED IN WRITING IN ADVANCE BY OWNER. THIS DOCUMENT SHALL BE RETURNED TO OWNER UPON REQUEST. IT MAY BE SUBJECT TO CERTAIN RESTRICTIONS UNDER APPLICABLE EXPORT CONTROL LAWS AND REGULATIONS.</small>		



DRAWN BY DA	 Regal Beloit America, Inc.
DATE 03-26-1993	
APPROVED BY TB	DESCRIPTION CONNECTION DIAGRAM EXTERNAL - SINGLE VOLTAGE - 3Ø MOTOR
DATE 03-26-1993	MATERIAL
REFERENCE	PROCESS/FINISH
THIRD ANGLE PROJECTION	SIZE A
	DRAWING NUMBER EE7300
	SHEET 1 OF 1

Data Sheet

Date: 15-06-2017
 Customer: _____
 Attention: _____
 Submitted by: FAREEDA DUDEKULA



404THFS9101

Submittal

Data @ 460 V

Motor Load Data

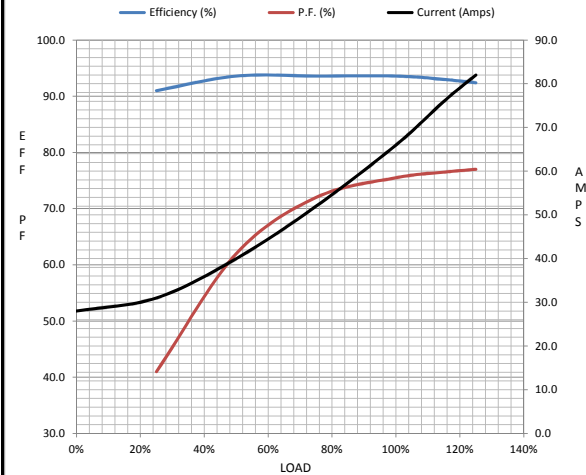
Load	0%	25%	50%	75%	100%	115%	125%	LR
Current (Amps)	28.0	31.0	40.0	52.0	66.0	76.0	82.0	350
Torque (ft-lb)	0.00	73.0	147	221	295	340	370	515
RPM	900	898	895	892	890	888	885	0
Efficiency (%)		91.0	93.6	93.6	93.6	93.0	92.4	
P.F. (%)	4.0	41.0	62.0	72.0	75.5	76.5	77.0	35.5

Motor Speed Data

	LR	Pull-Up	BD	Rated	Idle
Speed (RPM)	0	450	850	890	900
Current (Amps)	350	300	200	66.0	28.0
Torque (ft-lb)	515	425	625	295	0.00

Information Block

HP	50.0			
Sync. RPM	900			
Frame	404			
Enclosure	TEFC			
Construction	TFS			
Voltage	460 V			
Frequency	60 Hz			
Design	B			
LR Code letter	G			
Service Factor	1.15			
Temp Rise @ FL	72 ° C			
Duty	CONT			
Ambient	40 ° C			
Elevation	1,000 feet			
Rotor/Shaft wk ²	36.5 Lb-Ft ²			
Ref Wdg	T404816 NONE			
Sound Pressure @ 1M	62 dBA			
VFD Rating	CONSTANT 2:1			
Outline Dwg	B-SS508591-1525			
Conn. Diag	A-EE7300			
Additional Specifications:				
0				
365THFS8036				
EQUIV CKT (OHMS / PHASE)				
R1	R2	X1	X2	Xm
0.0920	0.0510	0.4490	0.8070	7.9000



Speed -Torque Curve

